

PN16 Type Y-Strainer



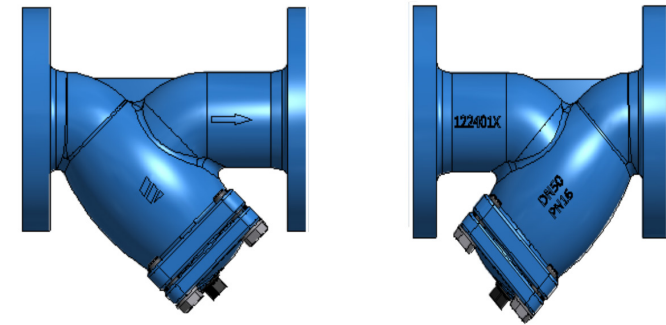
Temperature Range 0 to + 80°

Nominal Pressure PN16 (1.6MPa)

Connection Dimension AS2129 Table E (Flange Standard)BS EN 558-1 (Structure length Standard)

Test Standard BS EN 12266-2003, GB/T13927-2008

Body Material: ASTM A-536 Ductile Iron 65-45-12 meet AS/NZS 2280:2004; Color: Blue,LP4703-G



SIZE	"HOLE SIZE DIA. mm"	Mesh	SCREEN LENGTH mm	SCREEN DIAMETER mm	TOTAL SCREEN AREA CM2	FREE AREA	TOTAL SCREEN FREE FLOW AREA CM2	PIPE BORE DIAMETER mm	PIPE BORE AREA CM2	SCREEN FREE FLOW AREA OF PIPE BORE AREA %
DN50	1.5	12	108	55	186.516	37.20%	69.384	50	19.63	354%
DN65	1.5	12	125	72	282.600	37.20%	105.127	65	33.17	317%
DN80	1.5	12	152	80	381.824	37.20%	142.039	80	50.24	283%
DN100	1.5	12	189	107	635.002	37.20%	236.221	100	78.50	301%
DN125	3.5	6	235	133	981.407	44.10%	432.800	125	122.66	353%
DN150	3.5	6	289	153	1388.414	44.10%	612.290	150	176.63	347%
DN200	3.5	6	368	206	2380.371	44.10%	1049.744	200	314.00	334%
DN250	5	4	408	253	3241.234	48.70%	1578.481	250	490.63	322%
DN300	5	4	468	302	4437.950	48.70%	2161.282	300	706.50	306%