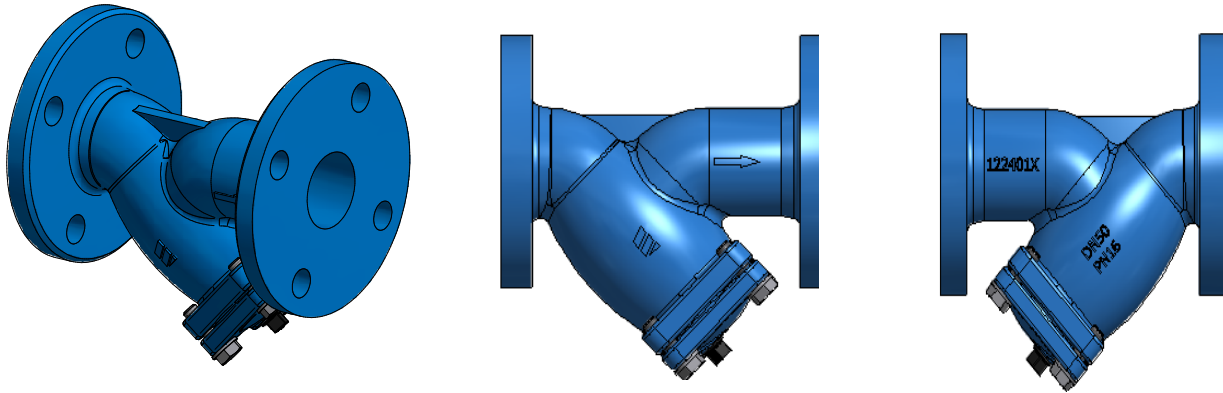


For Light Commercial and Residential Applications

Job Name _____ Contractor _____
 Job Location _____ Approval _____
 Engineer _____ Contractor's P.O. No. _____
 Approval _____ Representative _____

PN16 Type Y-Strainer



Technical Parameters:

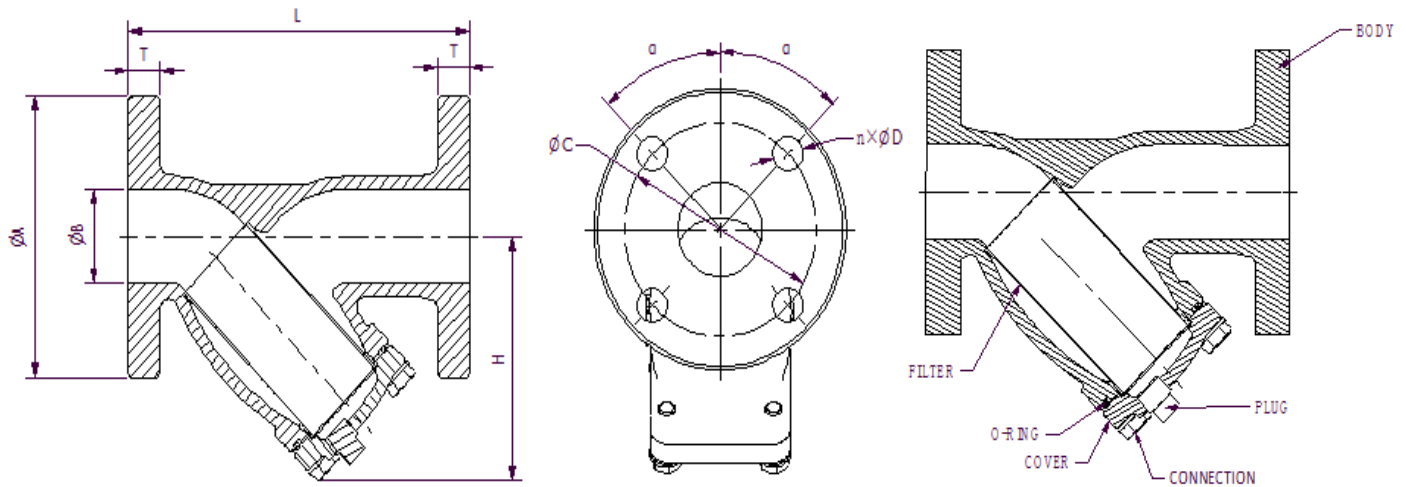
Nominal Diameter	DN50 to DN 300
Nominal Pressure	PN16 (1.6MPa)
Body	Material: ASTM A-536 Ductile Iron 65-45-12、meet AS/NZS 2280:2004; Color: Blue,LP4703-G
Cover	Material: ASTM A-536 Ductile Iron 65-45-12、meet AS/NZS 2280:2004; Color: Blue,LP4703-G
Filter	Material: 304 Stainless steel
Connection	Material: 304 Stainless steel
O'Ring	Material: NBR,meet AS/NZS 4020:2005
Plug	Material:ASTM A126 Cast Iron
Working Medium	water, waste water
Temperature Range	0 to +80 °C
Connection Dimension	AS2129 Table E (Flange Standard)、BS EN 558-1 (Structure length Standard)
Test Standard	BS EN 12266-2003、GB/T13927-2008

Watts product specifications in U.S. customary units and metric are approximate and are provided for reference only. For precise measurements, please contact Watts Technical Service. Watts reserves the right to change or modify product design, construction, specifications, or materials without prior notice and without incurring any obligation to make such changes and modifications on Watts products previously or subsequently sold.

Installation Dimensions:

NOMINAL	CONTOUR DIMENSION(MM)				CONNECTION DIMENSION(MM) AS2129-2000 TABLE E			
	L	H	ΦA	B	ΦC	T	n×ΦD	α
50	203	130	150	50	114	19	4×Φ18	45°
65	222	148	165	65	127	19	4×Φ18	45°
80	241	171	185	80	146	19	4×Φ18	45°
100	305	215	215	100	178	22	8×Φ18	22.5°
125	356	273	255	125	210	22	8×Φ18	22.5°
150	394	294	280	150	235	22	8×Φ22	22.5°
200	550	397	335	200	292	25	8×Φ22	22.5°
250	650	483	405	250	356	25	12×Φ22	15°
300	750	564	455	300	406	29	12×Φ26	15°

Dimensions:



USA: Tel: (978) 689-6066 • Fax: (978) 975-8350 • Watts.com
Canada: Tel: (905) 332-4090 • Fax: (905) 332-7068 • Watts.ca