

JTL SPECTRUM II

MULTI-PURPOSE FULL FLOW BALL VALVES

Suitable for a broad spectrum of applications including **potable water**, **non potable water** and a range of **chemical** applications*

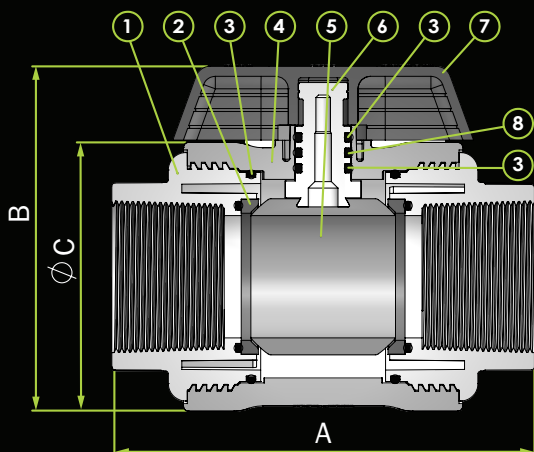
Incorporating a special feature unmatched by its competitors, the shaft is fitted with 2 o-rings of differing materials (EPDM and NBR). The combination of these two materials provides coverage over a broader spectrum of chemical applications, where possible leakage could occur through the shaft in standard valves. In addition to this, the quick 90° positive on/off action makes these the ideal isolation valve.



Over 30 years of experience in valve design has been incorporated into the engineering of this valve. The JTL Spectrum Ball Valve range is manufactured from heavy duty, engineering grade, glass reinforced polypropylene, TPEE seats and EPDM and NBR thermoplastic elastomer seals.

Key Features

- FULL FLOW - non directional
- Excellent chemical resistance
- Corrosion resistant
- UV resistant
- Ergonomic removable handle
- Quick positive 90° on/off action
- Pressure rating: up to 1600 kPa @ 20° C
- Operating temperature: > 0° C < 60° C
- Lilac handle for grey water
- Date stamped for traceability
- 100% individually leak tested
- Available with NPT threads - MOQs apply
- Packaging: Bulk (individual units). Option to supply with hang sell cards including barcode
- Over 30 years of design experience incorporated in this valve.



VALVE SIZE	15mm	20mm	25mm	32mm	40mm	50mm
(BSPT)	1/2"	3/4"	1"	1 1/4"	1 1/2"	2"
(FI x FI)	JBV15S	JBV20S	JBV25S	JBV32S	JBV40S	JBV50S
HANDLE COLOUR: BLUE = General Use LILAC = Grey Water Identification						

DIM (mm)	15mm	20mm	25mm	32mm	40mm	50mm
A (mm)	98	98	112	124	142	170
B (mm)	82	82	91	105	118	138
C (mm)	58	58	67	79	90	108

VALVE PART	BODY (1 & 4)	STEM (6)	HANDLE (7)	SEATS (2)	BALL (5)	SEALS (3 & 8)
MATERIALS	GRPP	GRPP	GRPP	TPEE	GRPP	EPDM (3) NBR (8)

NB. 15mm and 20mm valves have two seals on the shaft. The remaining sizes have three seals.
NB. Apply sufficient PTFE tape or approved sealant to all thread joints to ensure a watertight seal.

* Chemical resistance varies dependent on type of chemical. For more information see:
www.plasticsintl.com/chemical-resistance-chart
www.graco.com/au/en/products/ad/chemical-compatibility

TECHNICAL SPECIFICATIONS

Body / Ball / Shaft / End Caps

Glass Reinforced Polypropylene (GRPP)

- Offers good resistance to non-oxidizing acids and bases, fats and most organic solvents
- At elevated temperatures Polypropylene can dissolve in nonpolar solvents such as Xylene, Tetralin and Decalin
- The low melting point of Polypropylene is 160°C (320°F)
- Low temperature threshold: Polypropylene becomes brittle below 0°C
- NOT compatible with strong oxidants.

Ball Seats

TPEE – Thermoplastic Polyester Elastomer

- TPEE thermoplastic elastomer is a block copolymer containing a hard segment of polyester and a soft segment of polyether
- TPEE characteristics – rubber elastic and plastic engineering strength
- Very high tensile strength
- Excellent heat and low temperature resistance
- Operating temperature range -70°C (-94°F) to 200°C (392°F)
- Excellent oil resistance and is resistant to most polar liquid chemical media (such as acids, alkalis and amine diols) at room temperature, but does not work well with halo hydrocarbons (except Freon) and phenols. Poor hot water resistance
- Good resistance to most organic solvents, fuels and gases and good anti-swelling and anti-permeability characteristics.

O-Rings

EPDM Rubber (Ethylene Propylene Diene Monomer)

- EPDM is a synthetic rubber, derived from polyethylene. Rubbers with saturated polymer backbones, such as EPDM, have much better resistance to heat, light and ozone than un-saturated rubbers such as natural rubber
- EPDM is compatible with polar substances, eg. fireproof hydraulic fluids, ketones, hot and cold water, and alkalis
- EPDM exhibits excellent resistance to heat, ozone, steam and weather. Service temperature: -50°C (-58°F) to 150°C (302°F)
- NOT compatible with most hydrocarbons, such as oils, kerosene, aromatic, gasoline, as well as halogenated solvents.

NBR Rubber (Nitrile Butadiene Rubber (Nitrile) also known as Buna-N)

- Is a synthetic rubber that provides excellent resistance to petroleum based oils as well as mineral and vegetable oils
- Greater resistance to heat rating which allows nitrile not to harden and lose its damping capability as quickly as natural rubber and other materials
- Nitrile rubbers have moderate physical properties but good abrasion and excellent oil and hydrocarbon solvent resistance. Not suitable with polar solvents
- NBR's are widely used in sealing applications, particularly in the oil and gasoline (aliphatic and aromatic hydrocarbons) industries
- Typical grades have a working temperature range of -34°C (-30°F) to 121°C (250°F)



GlobalClamps

GLOBAL CLAMPS PTY LTD

Phone: +61 3 9888 0175

Email: info@globalclamps.com.au

Web: www.globalclamps.com.au



RGD CORPORATION PTY LTD

Phone: +61 8 9358 1466

Email: sales@rgdcorp.com.au

Web: www.rgdcorp.com.au

Local Dealer:



Disclaimer:

The information contained in this brochure is for general information purposes only. The information is provided by JTL Australia Pty Ltd. We try to keep the information up to date and correct, but we cannot and do not in any way guarantee or give any assurances as to the completeness, accuracy, reliability, sustainability or availability of the information provided, or as to products, services, or related graphics contained in this brochure or on our website for any purpose. All information is of a general nature and you must carry out your own research and investigations to satisfy yourself of the suitability or appropriateness of any products(s) for your own particular purpose or intended use.

We will not be liable for any loss or damage, indirect or consequential, and whether arising from loss of materials, time, or profits arising out of, or in connection with, the use of this information.

Spect II_MPBV_GC_202105

JTL

JTL Australia Pty Ltd