

PN16 “Grooved” Butterfly Valve

Lever & Gear Operated

◆ Application:

Potable water service Butterfly Valves with Watermark certification, for on and off and flow control service.

Suitable applications would include building services, water and wastewater, general industry, and irrigation water supply.

◆ Features:

1. Quality robust construction.
2. Excellent sealing due to unique disk and seat contour.
3. Single piece 316SS shaft eliminating potential pin and bolt leakages

◆ Technical Parameters:

Nominal Diameter: DN80~DN200

Nominal Pressure: PN16

Working Temperature: $-20^{\circ}\text{C} \sim +120^{\circ}\text{C}$

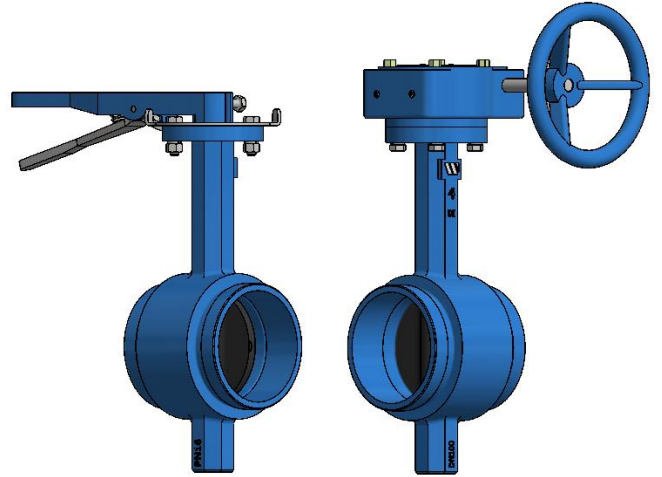
Working Medium: Potable Water

Connection Type: Groove End

Connection Standard: AS3688 & per Table.

Design Standard: ATS 5200.012-2005

Test Standard: ISO 5208-2008



◆ Main Materials:

Part Name	Body	Disc	Stem	Seat
Material	Ductile Iron ASTM A-536	Ductile Iron + Rubber ASTM A-536 + EPDM	316SS ASTM A276	EPDM

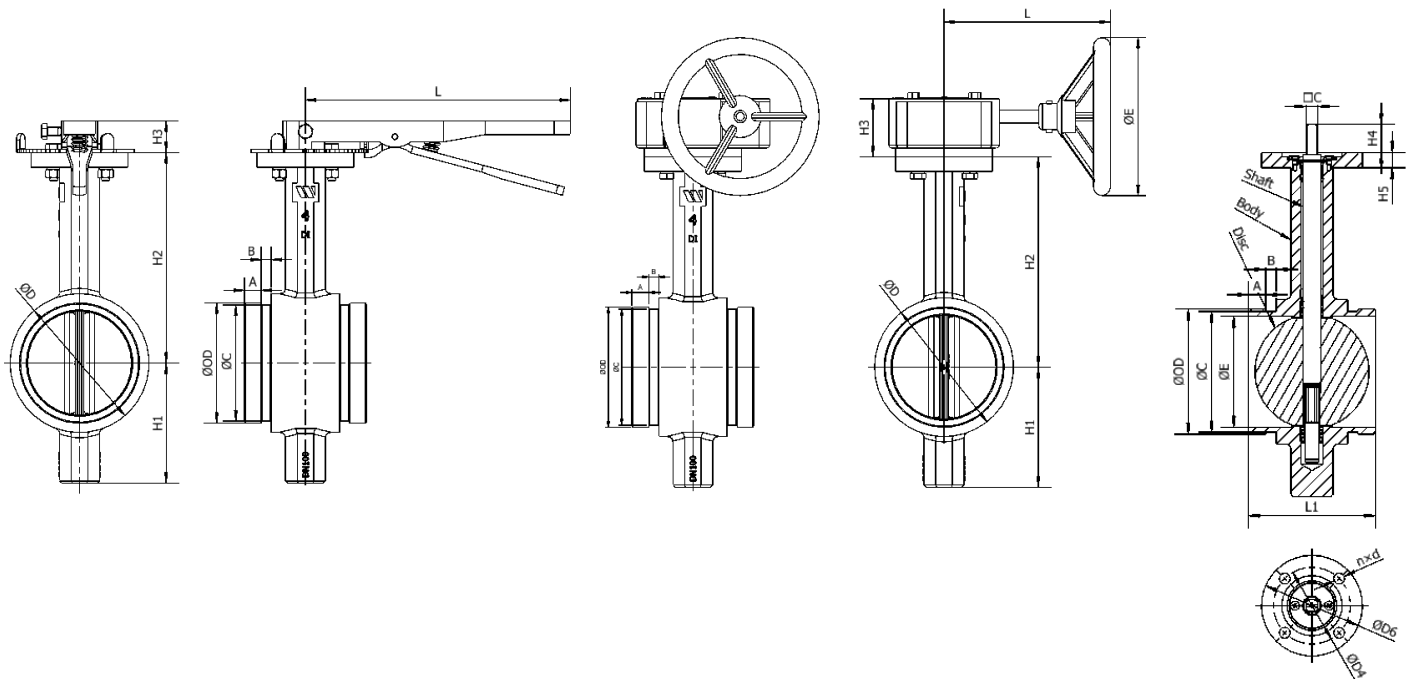


WMK26060

ATS5200.012

◆ Certification: WaterMarked WMK 26060

◆ Dimensions:



Size DN	Contour Dimension (mm)				End Connection Dimension (mm)					Top Flange Dimension (mm)						
	H1	H2	φD	L1	φOD	φC	A	B	φE	H 4	H5	□C	Meet ISO 5211			
													Type	φD6	φD4	nxd
80	95	181	105	96.8	88.9	84.9	15.9	7.9	77.7	24	14	□9	F07	92	70	4×φ10
100	114	200	132	115.8	114.3	110	15.9	9.5	101.2	26	14	□11	F07	92	70	4×φ10
150	139	226	185	147.6	165.1	160.8	15.9	9.5	150.5	26	14	□14	F07	92	70	4×φ10
200	175	260	239	133.4	219.1	214.4	19.1	11.1	203.2	33	14	□17	F10	125	102	4×φ12

Size DN	Lever Operated Blue		Gear Operated Blue		
	H3	L	H3	φE	L
80	32	266.7	66	150	160
100	32	266.7	66	150	160
150	32	266.7	66	150	160
200	41	359	82	298	240

Installation Instructions:

- (1) To ensure that the product meets the requirements of the application, compare to confirm that both the application and product specifications are compatible.
- (2) Installation personnel should be of a suitably trained and experienced level.
- (3) At the end of the installation, check thoroughly that it is installed correctly.
- (4) To ensure a safe installation, thoroughly clean the pipe system before product installation (please use chemical reagent if it is necessary). Ensure that the pipeline system is clean, with no corrosion, dirt or cleaning fluids remaining. It is necessary to remove all the filters in the pipeline before washing.
- (5) Advice is to install temporary pipeline at the place of equipment installation pipeline, then install the equipment into the pipeline after finishing the wash/cleaning work.
- (6) Note that the devices must not be used in the applications where the medium is containing a higher viscosity such as oil, mineral oil or is of corrosive medium.